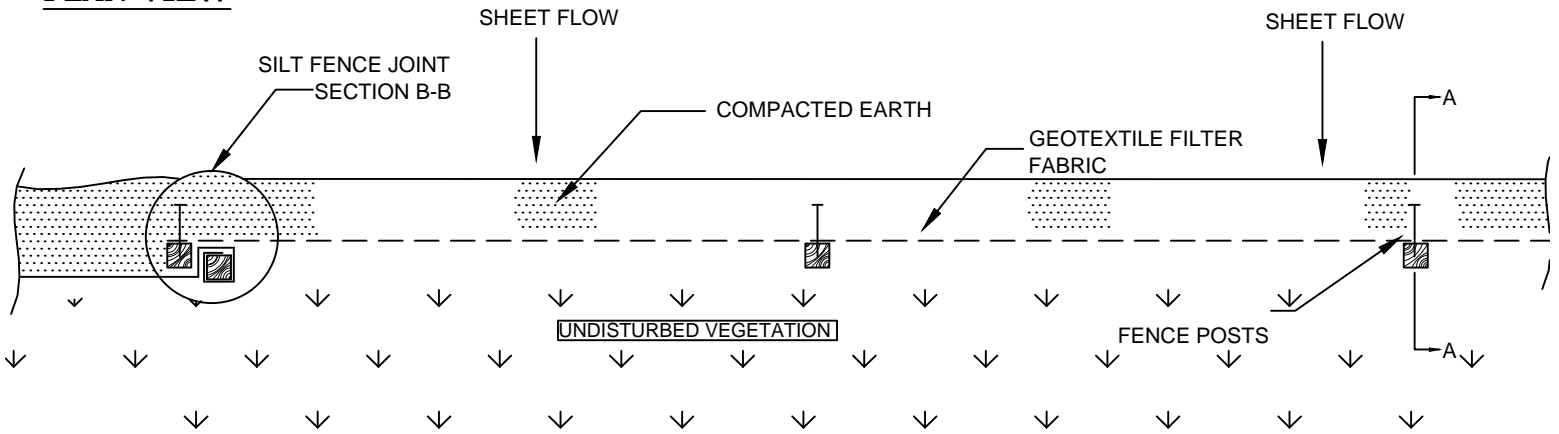


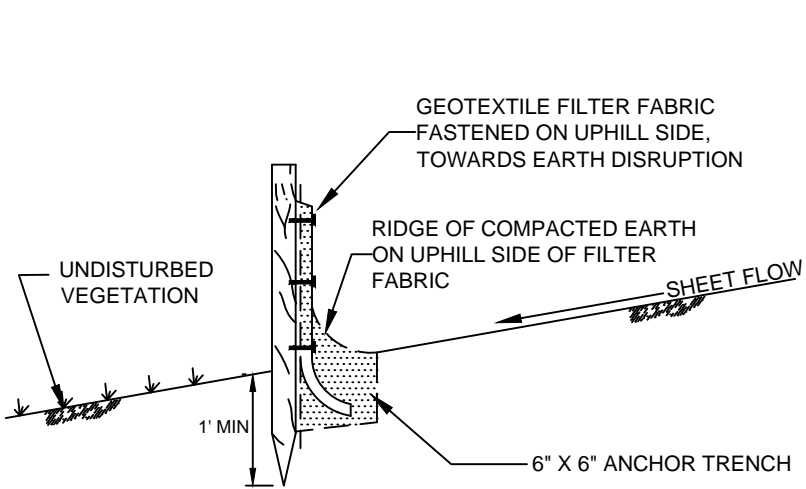
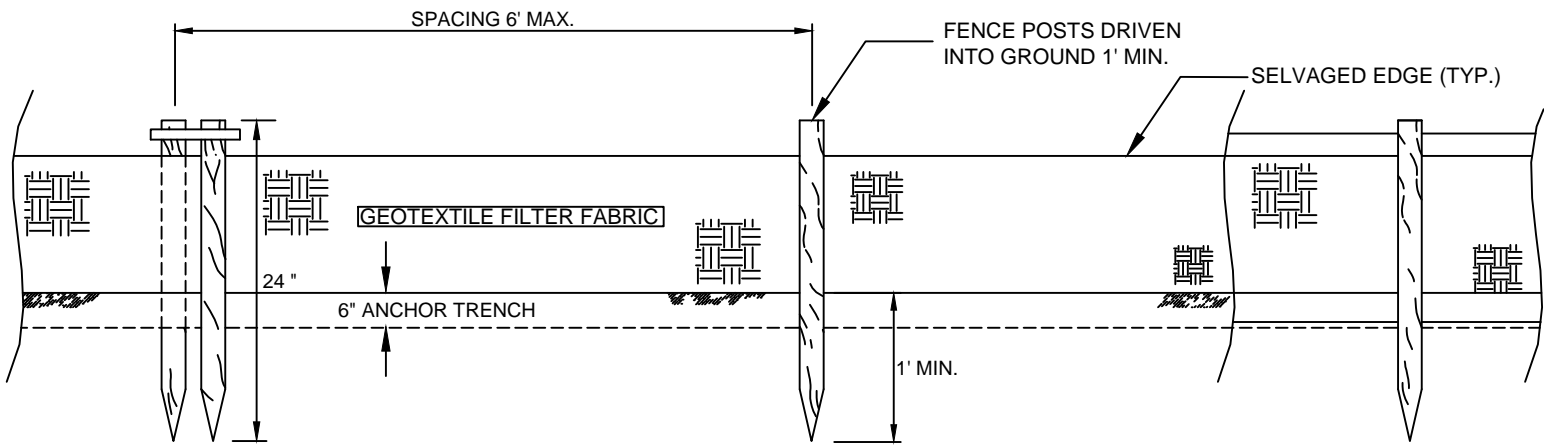
# SILT FENCE WITHOUT SUPPORT FENCE

(SESC-6)

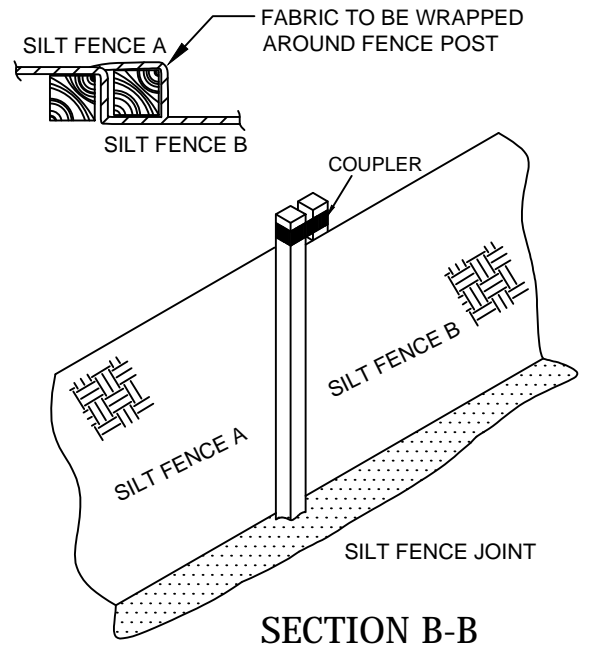
## PLAN VIEW



## FRONT VIEW

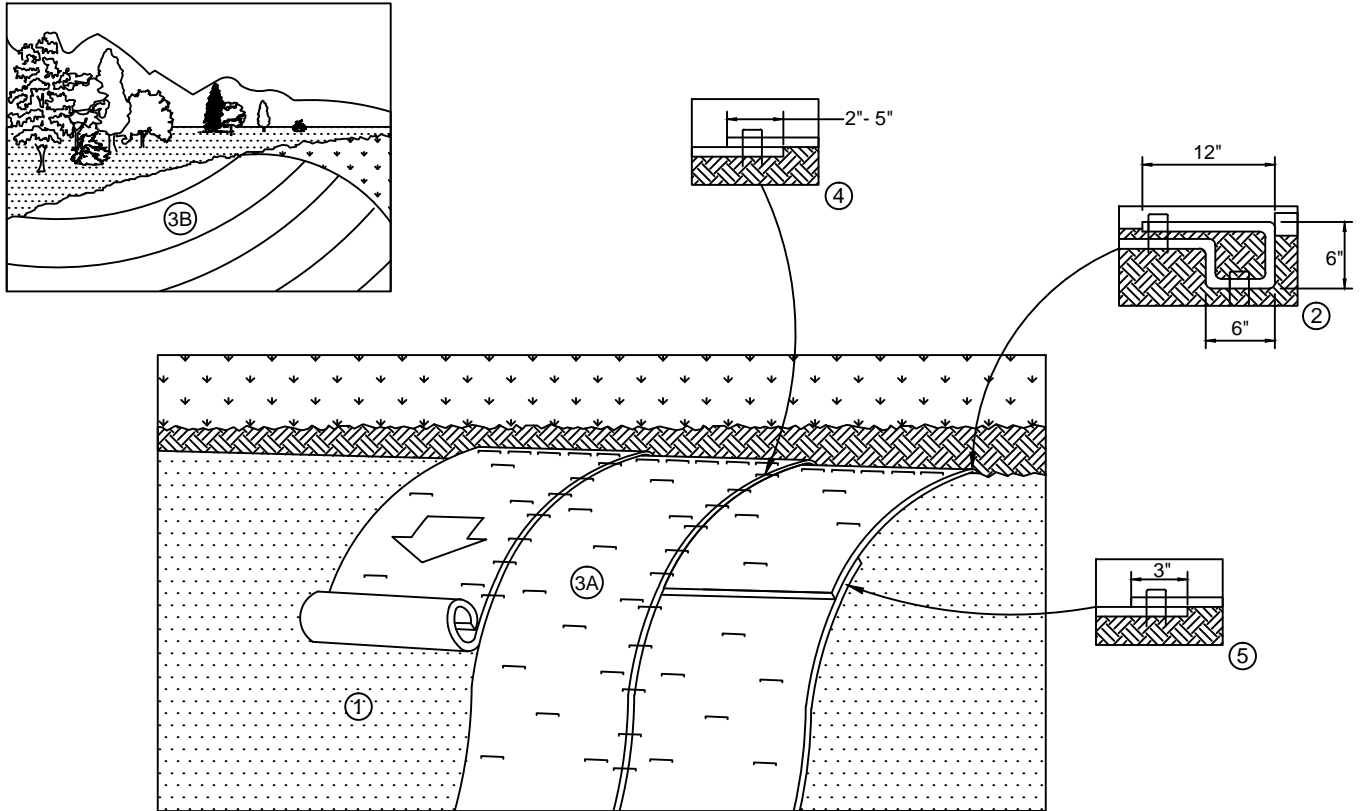


## SECTION A-A



## SECTION B-B

# MULCH BLANKET SLOPE INSTALLATION (SESC-15)

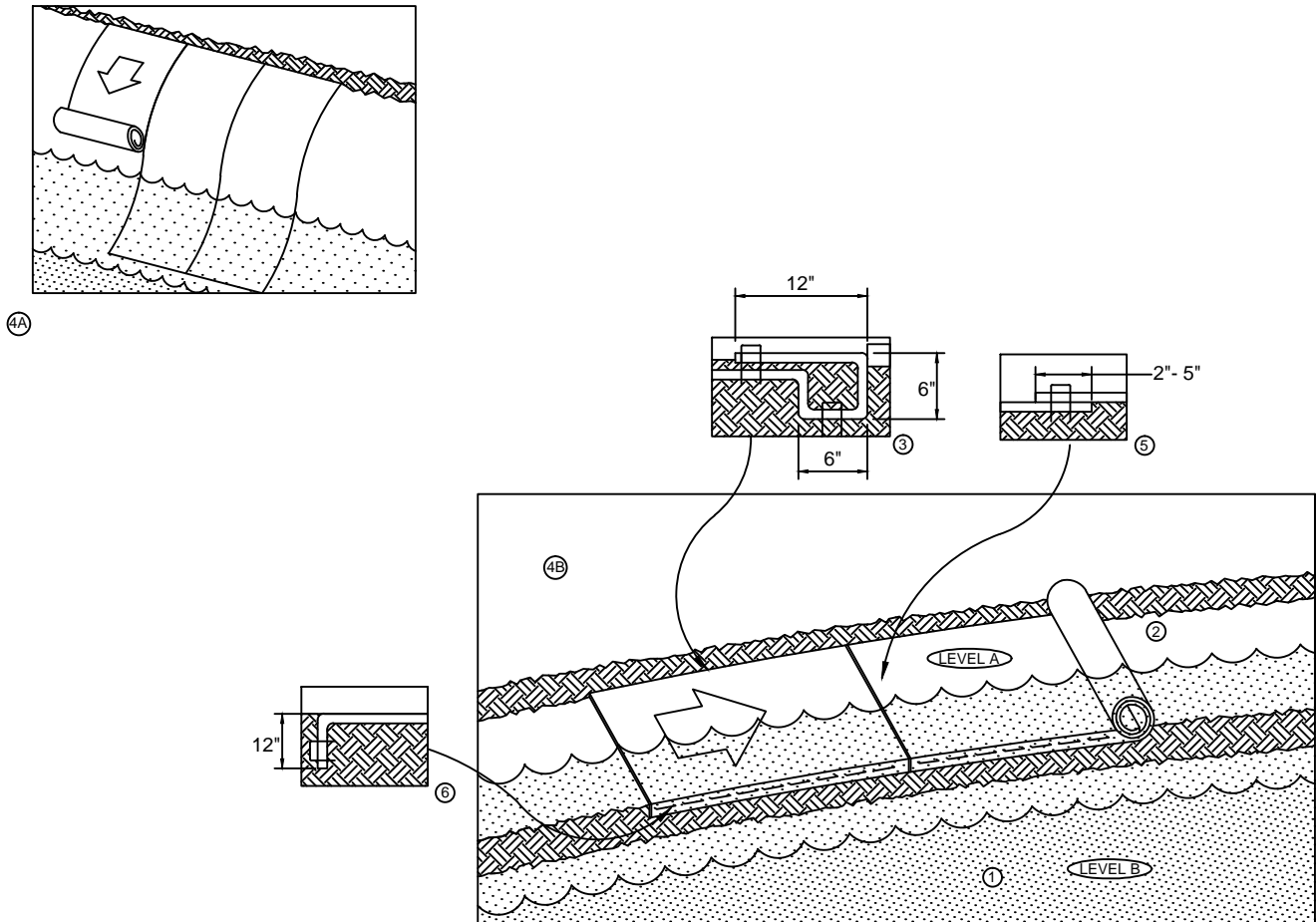


1. PREPARE SOIL BEFORE INSTALLING ROLLED EROSION CONTROL PRODUCTS (RECPS), INCLUDING ANY NECESSARY APPLICATION OF LIME, FERTILIZER, AND SEED.
2. BEGIN AT THE TOP OF THE CHANNEL BY ANCHORING THE RECPS IN A 6" DEEP X 6" WIDE TRENCH WITH APPROXIMATELY 12" OF RECPS EXTENDED BEYOND THE UP-SLOPE PORTION OF THE TRENCH. ANCHOR THE RECPS WITH A ROW OF STAPLES/STAKES APPROXIMATELY 12" APART IN THE BOTTOM OF THE TRENCH. BACKFILL AND COMPACT THE TRENCH AFTER STAPLING, APPLY SEED TO COMPACTED SOIL AND FOLD REMAINING 12" APART IN THE RECPS BACK OVER SEED AND COMPACTED SOIL. SECURE RECPS OVER COMPACTED SOIL WITH A ROW OF STAPLES/STAKES SPACED APPROXIMATELY 12" ACROSS THE WIDTH OF THE RECPS.
3. ROLL THE RECPS (A) DOWN OR (B) HORIZONTALLY ACROSS THE SLOPE. RECPS WILL UNROLL WITH APPROPRIATE SIDE AGAINST THE SOIL SURFACE. ALL RECPS MUST BE SECURELY FASTENED TO SOIL SURFACE BY PLACING STAPLES/STAKES IN APPROPRIATE LOCATIONS AS SHOWN IN THE STAPLE PATTERN GUIDE (SEE DETAIL SESC-16). WHEN USING THE DOT SYSTEM, STAPLES/STAKES SHOULD BE PLACED THROUGH EACH OF THE COLORED DOTS CORRESPONDING TO THE APPROPRIATE STAPLE PATTERN (SEE DETAIL SESC-16).
4. THE EDGES OF PARALLEL RECPS MUST BE STAPLED WITH APPROXIMATELY 2"-5" OVERLAP DEPENDING ON RECPS TYPE.
5. CONSECUTIVE RECPS SPLICED DOWN THE SLOPE MUST BE PLACED END OVER END (SHINGLE STYLE) WITH AN APPROXIMATE 3" OVERLAP. STAPLE THROUGH OVERLAPPED AREA, APPROXIMATELY 12" APART ACROSS ENTIRE RECPS WIDTH.

**NOTE:**

\* IN LOOSE SOIL CONDITIONS, THE USE OF STAPLE OR STAKE LENGTHS GREATER THAN 6" MAY BE NECESSARY TO PROPERLY ANCHOR THE RECPS.

# MULCH BLANKET SHORELINE INSTALLATION (SESC-17)



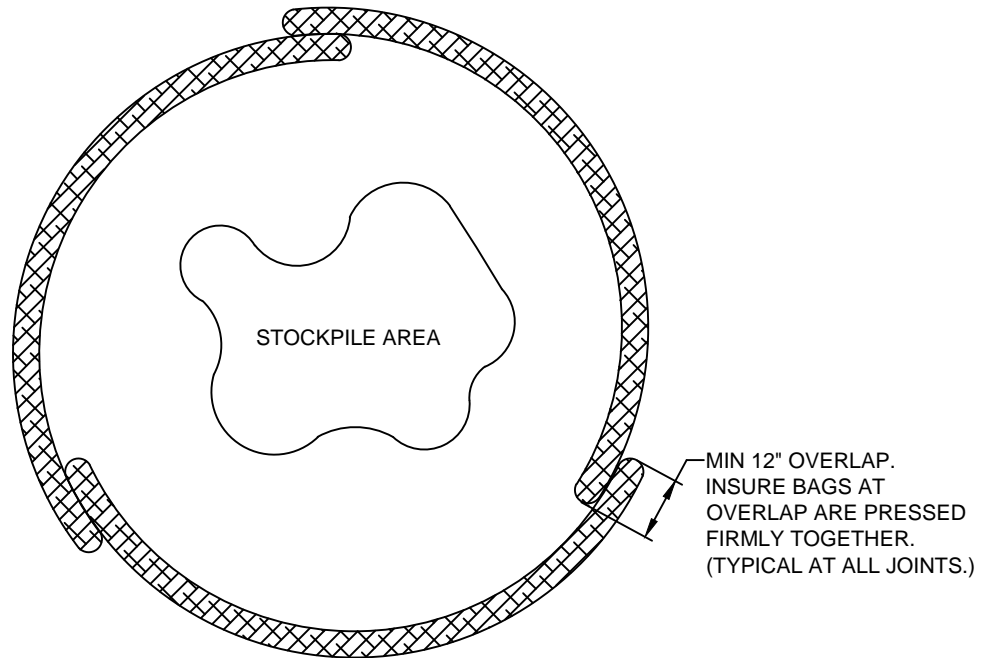
1. FOR EASIER INSTALLATION, LOWER WATER FROM LEVEL A TO LEVEL B BEFORE INSTALLATION.
2. PREPARE SOIL BEFORE INSTALLING ROLLED EROSION CONTROL PRODUCTS (RECP's), INCLUDING ANY NECESSARY APPLICATION OF LIME, FERTILIZER, AND SEED.
3. BEGIN AT THE TOP OF THE CHANNEL BY ANCHORING THE RECP's IN A 6" DEEP X 6" WIDE TRENCH WITH APPROXIMATELY 12" OF RECP's EXTENDED BEYOND THE UP-SLOPE PORTION OF THE TRENCH. ANCHOR THE RECP's WITH A ROW OF STAPLES/STAKES APPROXIMATELY 12" APART IN THE BOTTOM OF THE TRENCH. BACKFILL AND COMPACT THE TRENCH AFTER STAPLING, APPLY SEED TO COMPACTED SOIL AND FOLD REMAINING 12" APART IN THE RECP's BACK OVER SEED AND COMPACTED SOIL. SECURE RECP's OVER COMPACTED SOIL WITH A ROW OF STAPLES/STAKES SPACED APPROXIMATELY 12" ACROSS THE WIDTH OF THE RECP's.
4. ROLL RECP's EITHER (A) DOWN THE SHORELINE FOR LONG BANKS, (TOP TO BOTTOM) OR (B) HORIZONTALLY ACROSS THE SHORELINE SLOPE. RECP's WILL UNROLL WITH APPROPRIATE SIDE AGAINST THE SOIL SURFACE. ALL RECP's MUST BE SECURELY FASTENED TO SOIL SURFACE BY PLACING STAPLES/STAKES IN APPROPRIATE LOCATIONS AS SHOWN IN THE STAPLE PATTERN GUIDE (SEE DETAIL SESC-18). WHEN USING THE DOT SYSTEM STAPLES/STAKES SHOULD BE PLACED THROUGH EACH OF THE COLORED DOTS CORRESPONDING TO THE APPROPRIATE STAPLE PATTERN (SEE DETAIL SESC-18).
5. THE EDGE S OF ALL HORIZONTAL AND VERTICAL SEAMS MUST BE STAPLED WITH APPROXIMATELY 2"-5" OVERLAP. SEAM OVERLAP SHOULD BE SHINGLED ACCORDING TO PREDOMINANT EROSION ACTION.
6. THE EDGE OF THE BLANKET AT OR BELOW NORMAL WATER LEVEL MUST BE ANCHORED BY PLACING THE STAPLES/STAKES IN A 12" DEEP X 6" WIDE ANCHOR TRENCH. ANCHOR THE BLANKET WITH A ROW OF STAPLES/STAKES SPACED APPROXIMATELY 12" APART IN THE TRENCH. BACKFILL AND COMPACT THE TRENCH AFTER STAPLING (STONE OR SOIL MAY BE USED AS BACKFILL.)

**NOTE:**

\* IN LOOSE SOIL CONDITIONS, THE USE OF STAPLE OR STAKE LENGTHS GREATER THAN 6" MAY BE NECESSARY TO PROPERLY ANCHOR THE RECP's.

# TEMPORARY STOCKPILE AREAS (SESC-37)

## PLAN VIEW



NOTES:  
INSTALL STOCKPILE ON RELATIVELY FLAT TERRAIN.  
PLACE THREE EROSION EELS IN CIRCULAR  
PATTERN AS SHOWN WITH OVERLAPS. PROVIDE  
MORE EELS TO BROADEN CIRCUMFERENCE FOR  
LARGER STOCKPILES, IF DESIRED.

SEE DETAIL SESC-40 FOR GENERAL NOTES.

# VEGETATED BUFFER (SESC-54)

